

D85 - Bale Stacker



OPERATOR'S handbook

TABLE OF CONTENTS

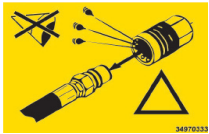
Chapter	Contents	Page
1	SAFETY DECALS	2
2	INTRODUCTION	3
3	TECHNICAL SPECIFICATIONS	5
4	SAFETY PRECAUTIONS	6
5	OPERATING INSTRUCTIONS	9
6	MAINTENANCE	10
7	GUARANTEE	11
8	DECLARATION OF CONFORMITY	12



1. Read the operator's manual carefully



2. Ensure that nuts are kept tight at all times



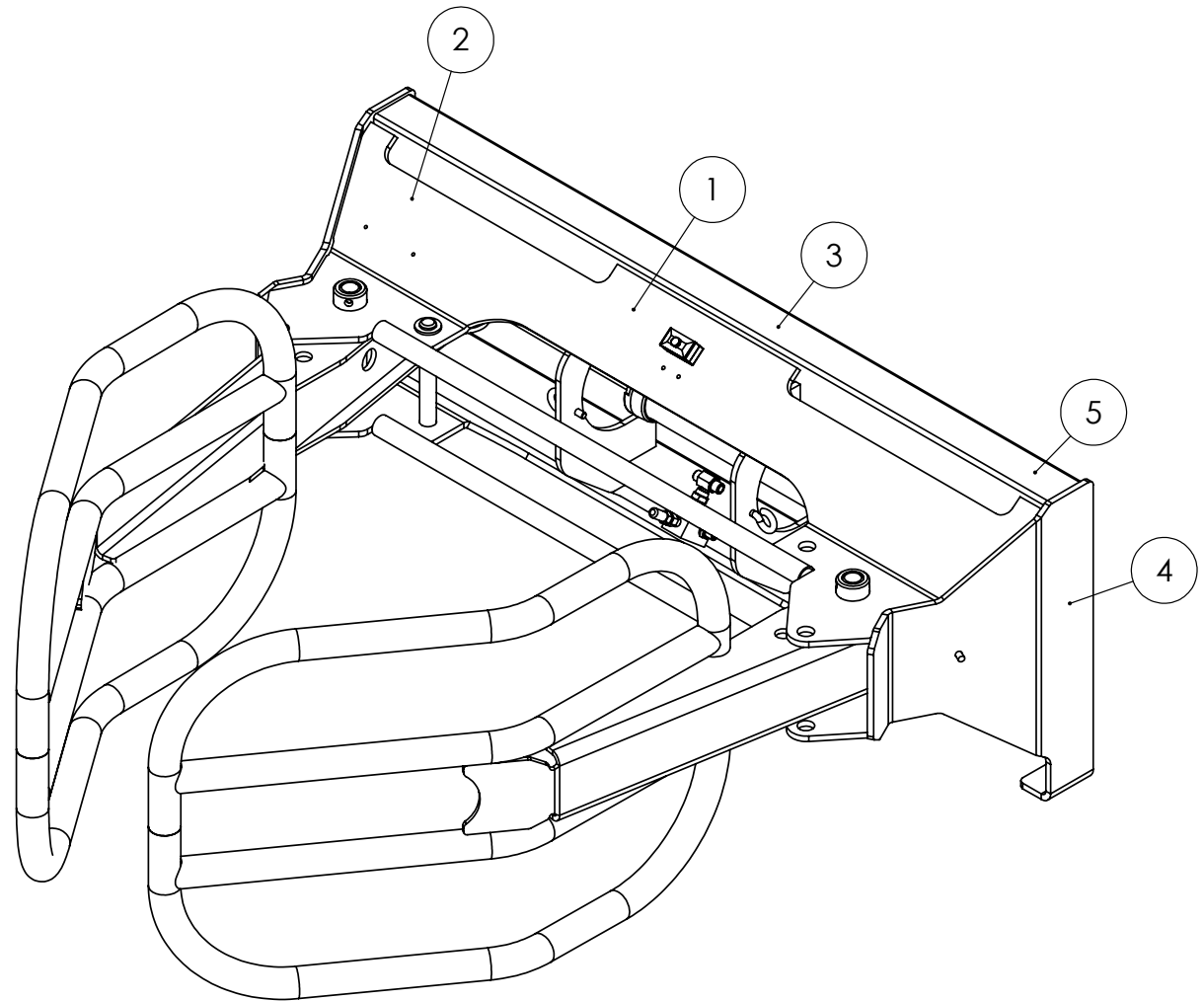
3. Danger from oil splashes



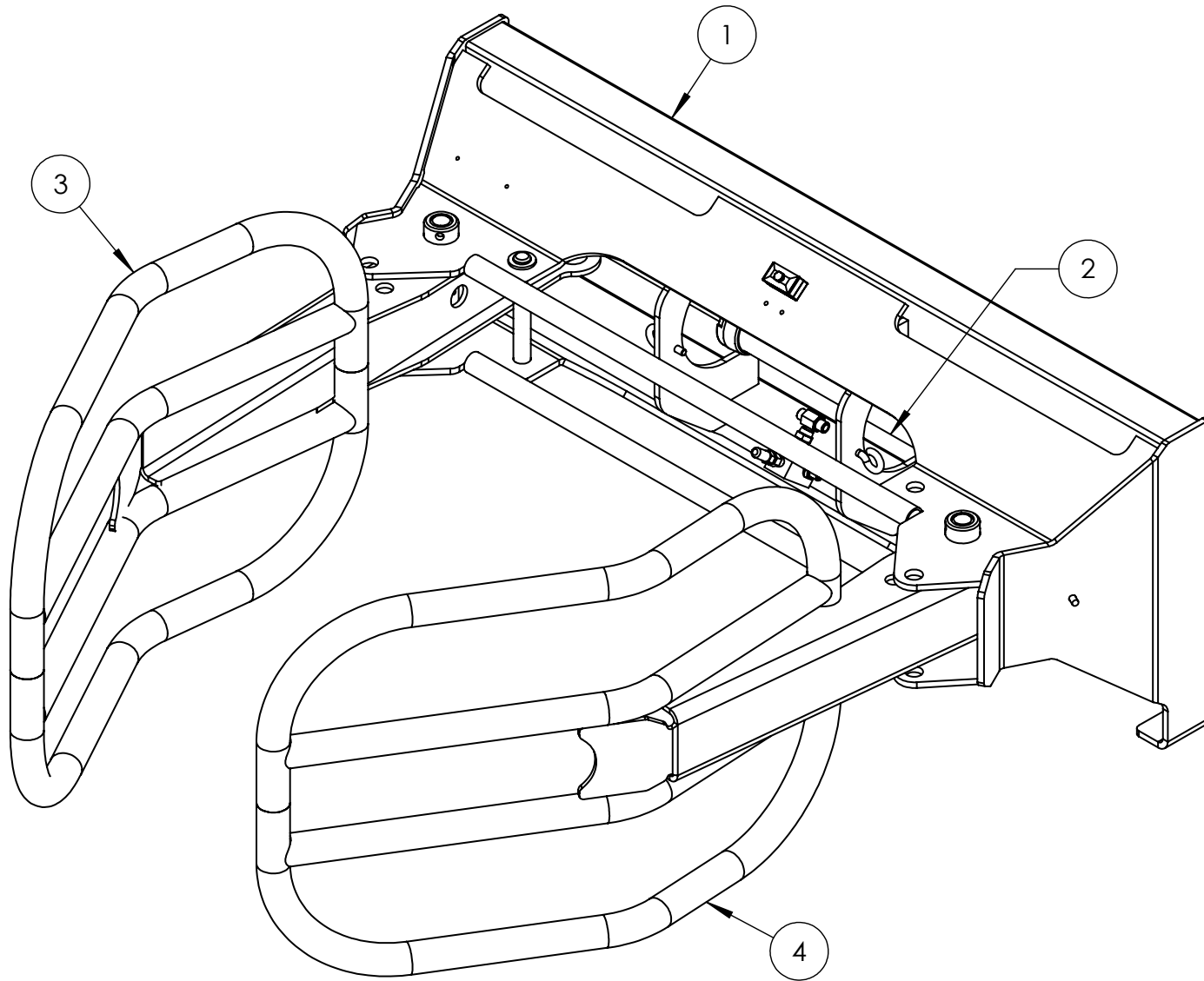
4. Do not stand on or under implement



5. Danger Stay at a Safe Distance Whilst Machine is in Operation.



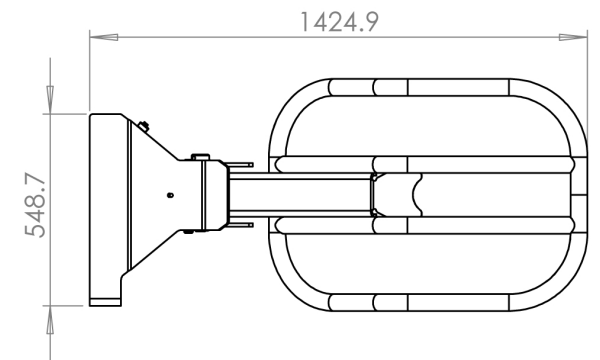
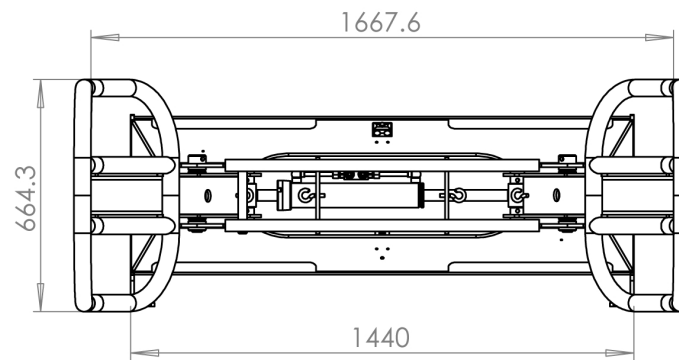
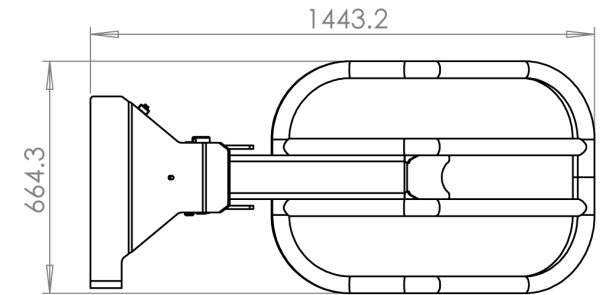
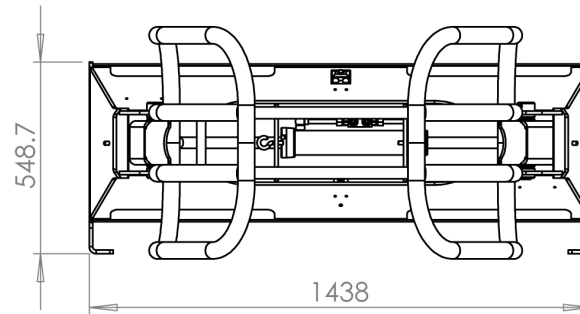
Item No.	Description
1	Main Frame
2	Ram Assembly
3	Arm Assembly R.H.S.
4	Arm Assemblt L.H.S.



Tanco Autowrap Ltd congratulates you on your choice of the TANCO AUTOWRAP bale wrapping machine. We are certain you will be satisfied with the machine, and that you will have the pleasure of your investment for many years.

Technical Specifications

Height	0.66m
Width (Closed)	1.44m
Width (Open)	1.67m
Length (Closed)	1.44m
Length (Open)	1.42m
Weight	200 kg
Maximum Bale Length	1.3m
Maximum Bale Diameter	1.55m
Maximum Bale Weight	1400kgs
Hydraulic Connection	Double acting service
Oil Pressure	210 bar / 150 bar
Oil Amount (Max / Min)	70 lts / 20 lts
Maximum Counter Pressure	15 bar



NB: Tanco Autowrap Ltd. reserves the right to modify the construction and/or technical specifications without warning and without rights to changes on already delivered products.

Tanco Autowrap Ltd does not take responsibility for damages that may occur to machine, persons or other equipment, because of the machine NOT being used as described in this manual, or because of the safety precautions NOT being followed.

 **IMPORTANT!**

Always make sure nobody is in the hazard area of the Bale Stacker when the machine is in-use.

The machine must not be operated by persons who do not know enough about how to safely operate the machine, or by persons under the age of 16 years.

Dangerous Areas

Tanco Autowrap Ltd. has given the safety to the operator the highest priority, but it is still impossible to secure oneself of every danger area on the machine. Therefore we have highlighted below some of the dangers that can occur when using the D85 Bale Stacker.

Hydraulic Fluid

Never use your hands to search for hydraulic fluid leaks, use a piece of paper or cardboard for this purpose. Remember that escaping fluids under high pressure can be invisible, but can easily penetrate the skin and cause serious and sometimes permanent injury.

Machine Operation.

Always stop the tractor, lower the attachment to ground level and shut off the engine when leaving the machine.


Never keep the tractor running whilst installing or servicing the Bale Shear.

Safety Shutdown Procedure

Work of any type on farm machinery is always more dangerous when the tractor is running.

Therefore before cleaning, lubricating, or servicing this unit, the following Safety Shutdown Procedure should always be followed:

1. Move the Tractors drive control and the hydraulic control valve to their neutral positions and idle the engine down.
2. Position the Bale Stacker so that it is completely resting on the ground.
3. Engage the tractors parking brake.
4. Move the tractors throttle to slow idle, shut the engine off and remove the ignition key.

 It is the responsibility of the operator to ensure that all steps of the D85 Bale Stacker operating procedures are followed. Failure to do so may result in the D85 Bale Stacker being inadvertently closed or opened due to incorrect installation/operation.



Safety Principles

In addition to the recommendations given in this manual, legislation on work safety and accident prevention must be respected.

Advice is indicated on the machine, specifying safety recommendations in order to prevent accidents.

Before travelling on public roads, the operator must ensure that the machine conforms to road traffic regulations.

Before starting work, the operator must be familiar with all the machine controls, handling devices and their functions. Once at work, it is too late to do this.

Do not wear loose clothing which could become caught up in moving elements.

The tractor should be equipped with a safety cab.

Before starting up the machine and beginning work, check the surrounding area (beware of children !). Make sure there is sufficient visibility. Keep all people and animals away from danger zone of the machine. (risk of protection !).

Carrying people or animals on the machine when working or in transport is strictly forbidden.

Machine must only be attached to tractor using means provided and in accordance with current safety standards.

Special care should be taken when attaching and removing the machine from the tractor.

Before transporting the machine on public roads, ensure that all legally required guards and indicators (lights, reflectors...) are in place and in good operation.

All operating controls (cords, cables, rods etc.,) must be positioned so that they cannot be set off accidentally, risking accident or damage.

Before travelling on public roads, put the machine into its transport position as instructed in this operators manual.

Never leave the tractor seat while the machine is operating.

Drive speed must be adapted to ground conditions as well as to roads and paths. Always avoid abrupt change in direction.

Before operating the machine, ensure that all safety guards are firmly in place and in good condition. If worn or damaged, replace immediately.



Before operating the machine, check the tightness of all nuts and bolts, particularly on fixing elements (blades, tines, knives, spades etc..)

Keep clear of machine operating area.

WARNING; Danger of crushing and shearing can exist when components are operated by hydraulic or pneumatic controls.

Before leaving the tractor or before adjusting, maintaining or repairing the machine, turn off the engine, remove the ignition key and wait until all moving parts have come to a stop.

Hydraulic System

WARNING: Hydraulic system is under pressure.

When fitting hydraulic motors or cylinders, ensure that connections have been made correctly, as per manufacturers instructions.

Before connecting hoses to the tractor hydraulics, ensure that the tractor and machine circuits are not under pressure.

It is strongly recommended that the operator marks the hydraulic connections between the tractor and machine, to avoid making the wrong connection.

WARNING: Functions could be reversed. (for example: lift/lower).

Check hydraulic hoses regularly! Worn or damaged hoses must be replaced immediately.

Replacement parts must be in accordance with the manufacturers recommendations concerning specifications and quality.

Should a leak be found, take all necessary precautions to avoid accidents.

Any liquid under pressure (particularly oil from hydraulics) can penetrate the skin and cause severe injury. If injured, see a doctor immediately, there could be a danger of infection.

Before any adjustments, maintenance or repairs are carried out, lower the machine, depressurize the circuit, turn off the engine and remove the ignition key.



Operating Instructions

1. Lower stacker on to top of bale. Note: When handling small bales, ensure arm assembly does not touch the ground.
2. Close gripper as far as possible.
3. Raise loader and close gripper further as more squeeze will be achieved when the bale is off the ground.
4. Carry the bale in the dropped position to the stacking or loading area, and give a further squeeze before rotating the bale into the upright position before stacking.

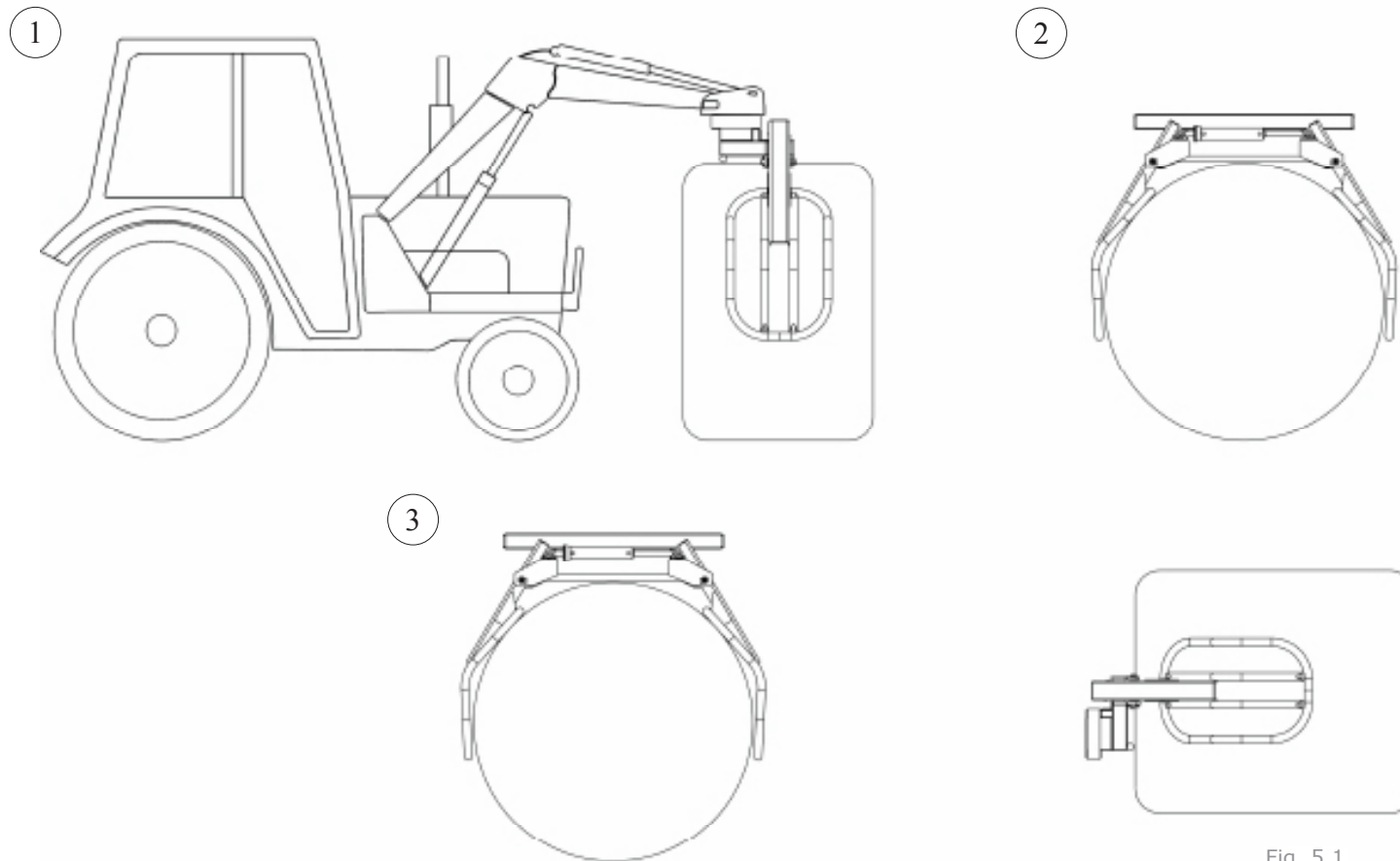


Fig. 5.1

Before checking for any machine malfunction and before adjusting, maintaining or repairing the machine, disengage PTO (on PTO driven machines) turn off engine and remove ignition key.

Check tightness of nuts and bolts regularly. Retighten if necessary.

If the machine is raised, prop it up in a stable position before carrying out any maintenance work.

When replacing a working part, wear protection gloves and use only standardized tools.

It is forbidden to disregard any oil, grease or filters. These must be given to waste disposal organisations to protect the environment.

Disconnect power source before any work is done to the electric system.

Check safety guards regularly, particularly those that are subject to wear. Replace immediately if damaged.

Spare parts must be in accordance with specifications and standards as defined by the manufacturer. Use only genuine TANCO parts.

Before any electrical welding is carried out on tractor or attached machine, disconnect generator and battery terminals.

Repairs on elements under pressure or tension (springs, accumulators etc.,) must only be carried out by competent persons with standardized equipment.

GUARANTEE

Subject as hereunder provided, the Seller undertake to correct either by repair or at their election by replacement any defect of material or workmanship which occurs in any of its goods within twelve months after delivery of such goods to first user, with the exception of contractors or commercial users when warranty period is six months.

In respect of Autowraps the warranty period is for 12 months or 8000 bales which ever occurs first.

In respect of Aerways tine breakage will be assessed on an individual basis in every case.

The term goods when used in this document means the article or articles described in invoice as sold by the sellers, but does not include equipment or proprietary parts or accessories not manufactured by the sellers. The sellers however, undertake to pass on so far as they legally can to the first user the benefit of any warranty given to the Sellers by the suppliers of such equipment, parts or accessories.

This understanding shall not apply to:

- (a) Any goods which have been sold by the first user.
- (b) Any goods which have been injured by unfair wear and tear, neglect or improper use.
- (c) Any goods the identification marks or which have been altered or removed.
- (d) Any goods which have not received the basic normal maintenance such as tightening of bolts, nuts, tines, hose connections and fittings and normal lubrication with the recommended lubricant.
- (e) The use of any product on tractors exceeding the recommended horsepower.
- (f) Any goods which have been altered or repaired other than on instructions or with the written approval of the Sellers have been fixed.
- (g) Any second-hand goods or part thereof.

Any allegedly defective part or parts returned to the Sellers must be sent carriage paid. No claim for repair or replacement will be entertained unless upon discovery of the alleged defect written notification is sent to the Sellers giving, at the same time, the name of the Buyer from whom the goods were purchased and the date of purchase together with the full details of the alleged defect and the circumstances involved, also the serial number of the machine etc.,

The Sellers shall be under no liability to their Buyers and first and subsequent users of their goods or to any other person or persons for loss or damage howsoever arising in respect of either personal injuries or for arising out of, or in any way connected with or arising from the manufacturers sale, handling, repair, maintenance, replacement or use of its goods or the failure or malfunction of any of its goods.

Representation and/or warranties made by any person (including Buyers and employees and other representatives of the Sellers) which are inconsistent or conflicting with these conditions are not binding upon the Sellers unless given in writing and signed by a Director of the Sellers.

CLAIMS

If you wish to make a claim under guarantee.

1. Immediately, stop using the machine.
2. List the details of the machine and damaged item, as shown inside the front cover of the booklet.
3. Consult with your Tanco dealer (Supplier) and have him forward your claim and the damaged item to Tanco.

EC DECLARATION OF CONFORMITY

ACCORDING TO DIRECTIVES 2006/42/EC

Manufacturer:
Tanco Autowrap Ltd
Bagenalstown
Co. Carlow
IRELAND

CERTIFIES THAT THE FOLLOWING PRODUCT:
TANCO AUTOWRAP
MODEL: D85 Bale Stacker
SERIAL NO:

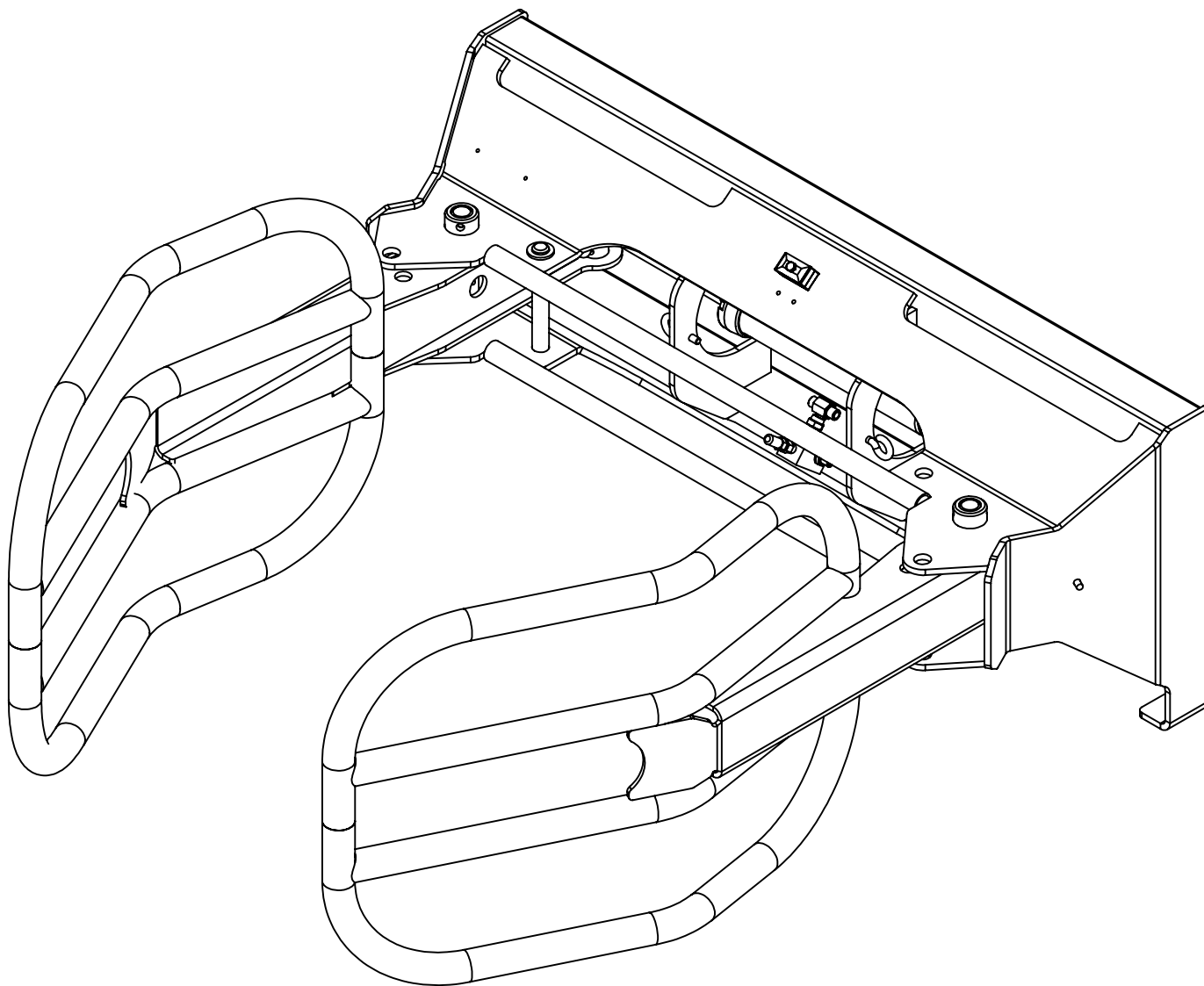
To which this declaration relates, corresponds to the essential requirements of the Directive 2006/42/EC.

To conform to these essential health and safety requirements, the provisions of the following harmonized standards were particularly considered:

ISO 12100, EN 294, prEN 703, EN ISO 13857, EN ISO 4254 - 1, prEN 982.

DATE: 01/11/2011

Signed: 
Con Hourihane, Technical Manager



D85 Ersatzteilliste

Wir empfehlen Ihnen, dass Sie im Falle eines Ersatzteilbedarfs nur Originalteile verwenden.
Bitte führen Sie bei einer Ersatzteilbestellung die folgenden Schritte aus.

1. Identifizieren Sie das Teil mittels der detaillierten Zeichnungen.
2. Suchen Sie, sobald Sie das Teil identifiziert haben, dessen Objektnummer in der Einzelteilliste, in der Sie die Teilenummer und die Beschreibung des benötigten Teils finden. Sie müssen die vollständige Teilenummer und Beschreibung bei der Bestellung angeben.
3. Bei der Bestellung müssen Sie zusätzlich die Serien- und Modellnummer der Maschine angeben.
4. Alle Aufträge müssen über Ihren lokalen Tanco-Händler abgewickelt werden und können entweder an Tanco Autowrap gefaxt oder gemailt werden.

D85 Spare Parts List

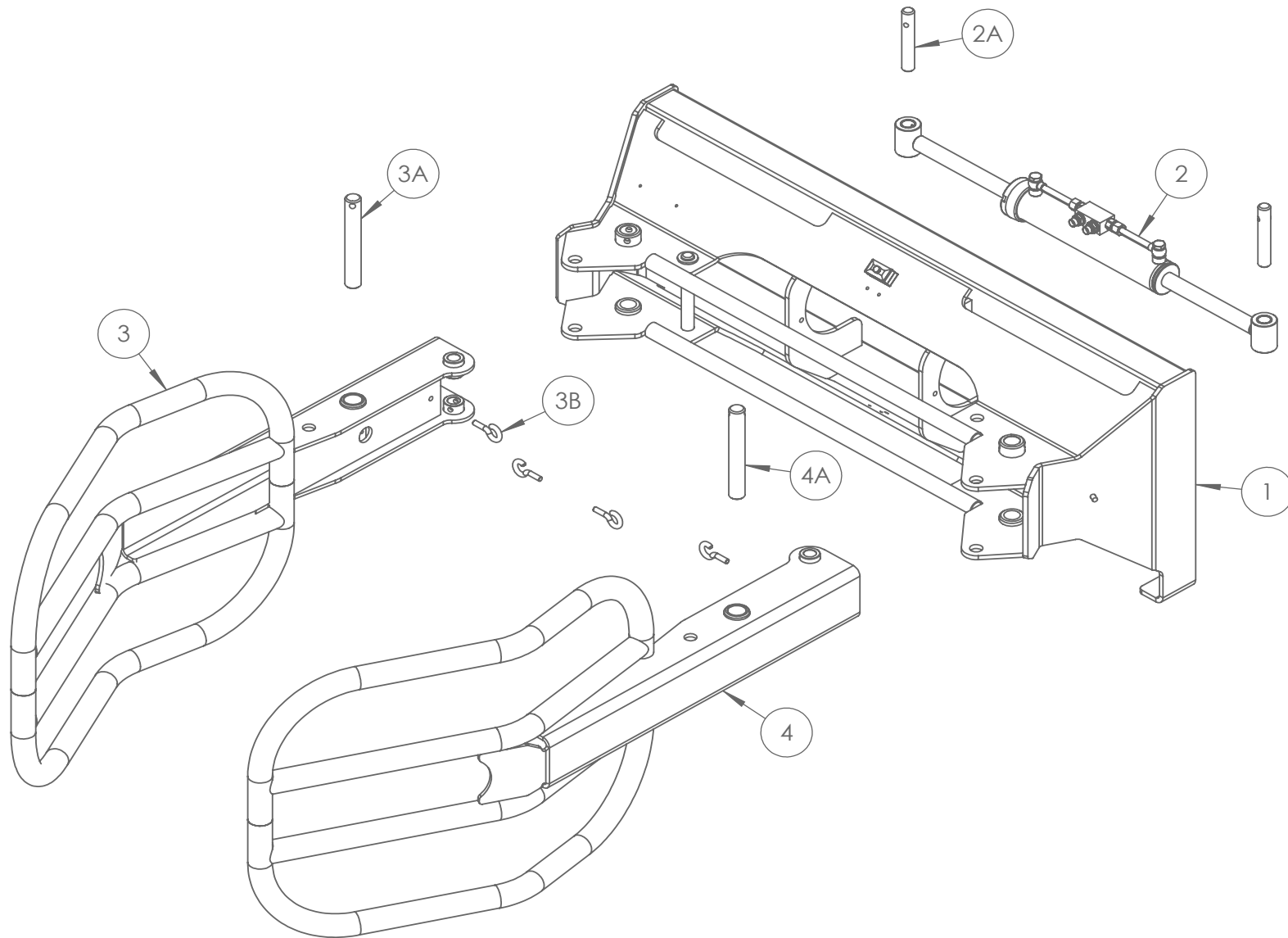
We recommend that when you require spare parts you use only original parts.
When ordering spare parts please follow the following steps;

1. Identify the part you require using the detailed drawings.
2. Once you have identified the part you require reference the item number relating to the part on the item list where you will find the part number and description of the part you require. You will be required to give the complete part no and description when ordering your part(s).
3. When ordering you must give the Serial Number and Model Number of the machine.
4. All orders must go through your local Tanco Dealer, and must be either faxed or e-mailed to Tanco Autowrap.

Liste des pièces de rechange D85

Si vous avez besoin de pièces de rechange, nous vous recommandons de n'utiliser que des pièces garanties d'origine.
Pour toute commande de pièces de rechange, veuillez suivre les étapes suivantes :

1. Identifiez la pièce dont vous avez besoin à l'aide des schémas détaillés.
2. Après avoir identifié la pièce dont vous avez besoin, relevez son numéro de référence dans la liste d'articles qui comprend également la description de la pièce requise. Lors de la commande, vous devez indiquer l'intégralité de la référence et de la description de la pièce.
3. Lors de la commande, vous devrez mentionner le numéro de série et le numéro de modèle de la machine.
4. Vous devez effectuer toutes les commandes auprès de votre revendeur Tanco local et les envoyer par télécopie ou par courrier électronique à Tanco Autowrap.



POS.- NR. POS. NR. N°	TEILE-NR. PART NR. PIÈCE N°	ANZAHL QUANTITY QUANTITÉ	BESCHREIBUNG	DESCRIPTION	DÉSIGNATION	TECHNISCHE DATEN TECHNICAL DATA DONNÉES TECHNIQUES
1	8005103	1	Hauptrahmenbaugruppe	Main Frame Assembly	Ensemble de châssis principal	
2	8005800	1	Stößelbaugruppe	Ram Assembly	Ensemble de vérin	
2A	8005520	2	Stößelgelenkstift	Ram Pivot Pin	Axe d'articulation de vérin	
3	8005203	1	Armbaugruppe (rechts)	Arm Assembly R.H.S.	Ensemble de bras (droit)	
3A	8005510	2	Gelenkstift	Pivot Pin	Axe d'articulation	
3B	D70 Spring Hook	1	Karabinerhaken	Spring Hook	Mousqueton	
4	8005204	2	Armbaugruppe (links)	Arm Assembly L.H.S.	Ensemble de bras (gauche)	
4A	8005510	1	Gelenkstift	Pivot Pin	Axe d'articulation	