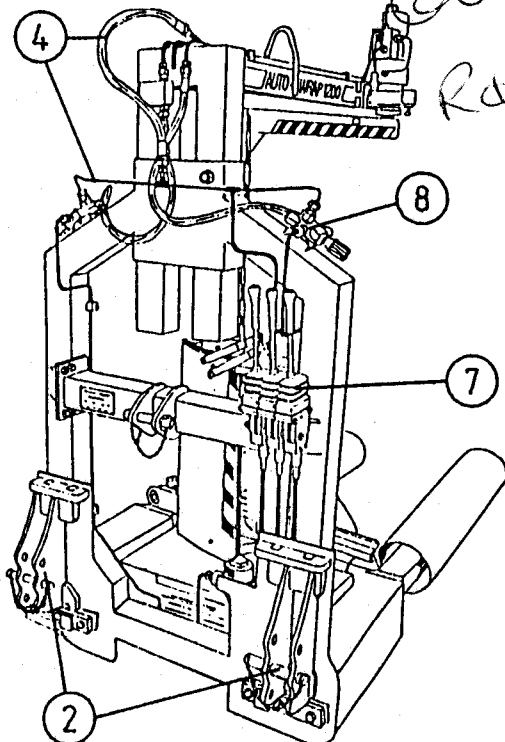
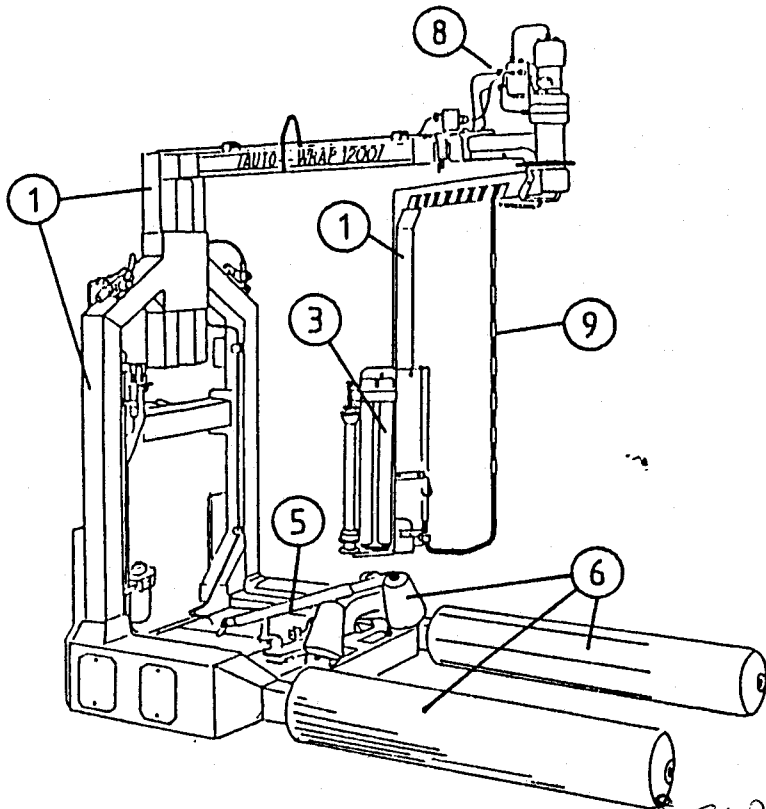




TELLEFSDAL A.S AUTO-WRAP 1200 M

SPARE PARTS LIST



PLATAFARRE 5007
CUL - 100
ROD - 3000

From Serie No. 110216

MAIN FRAME

ATTACHMENT

PRESTRETCHER

TUBES
HOSES

KNIFE

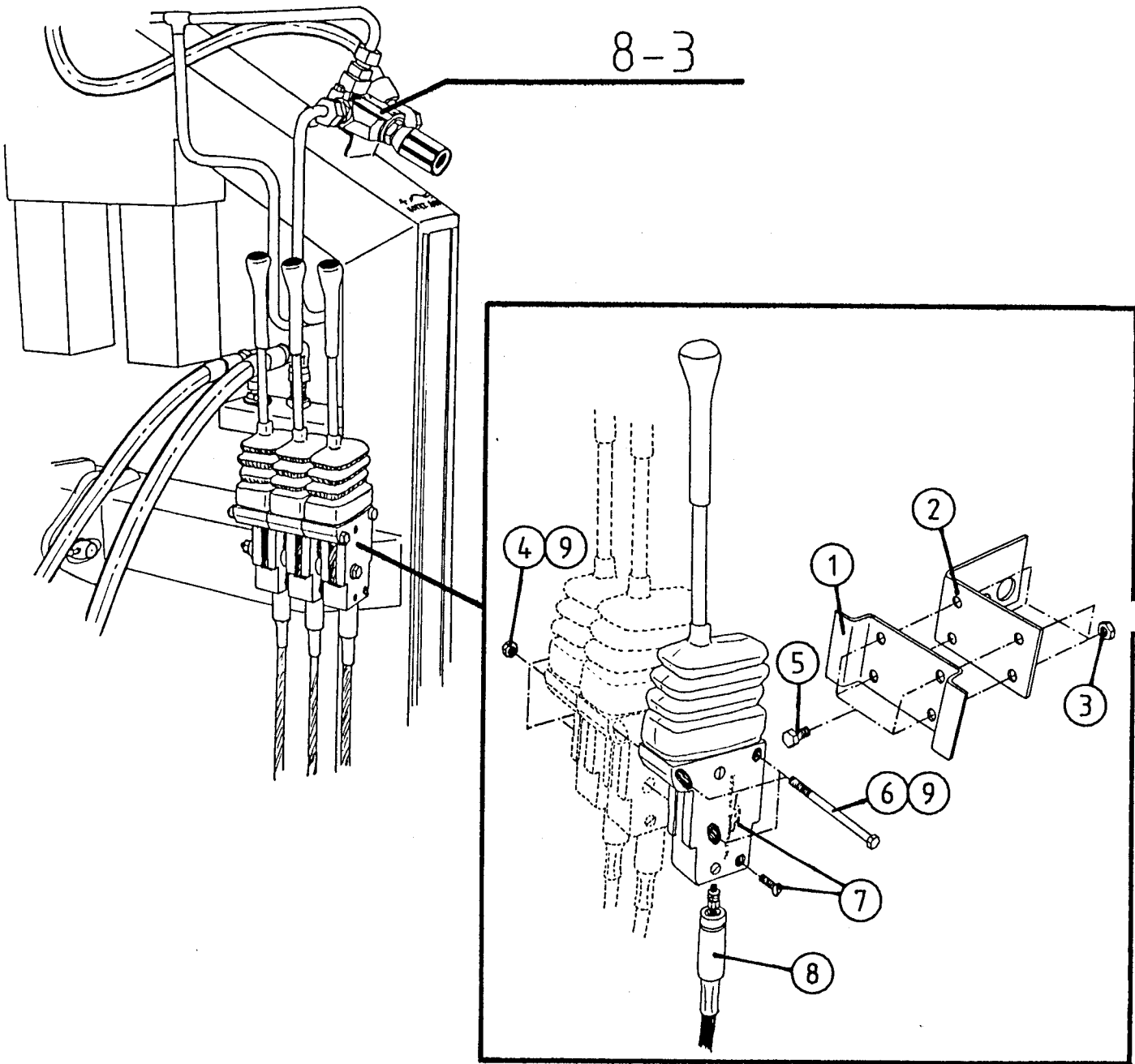
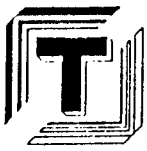
SUPPORT ROLLS
TINES

OPERATION

HYDRAULIC
SYSTEM

EMERGENCY STOP

MISC.

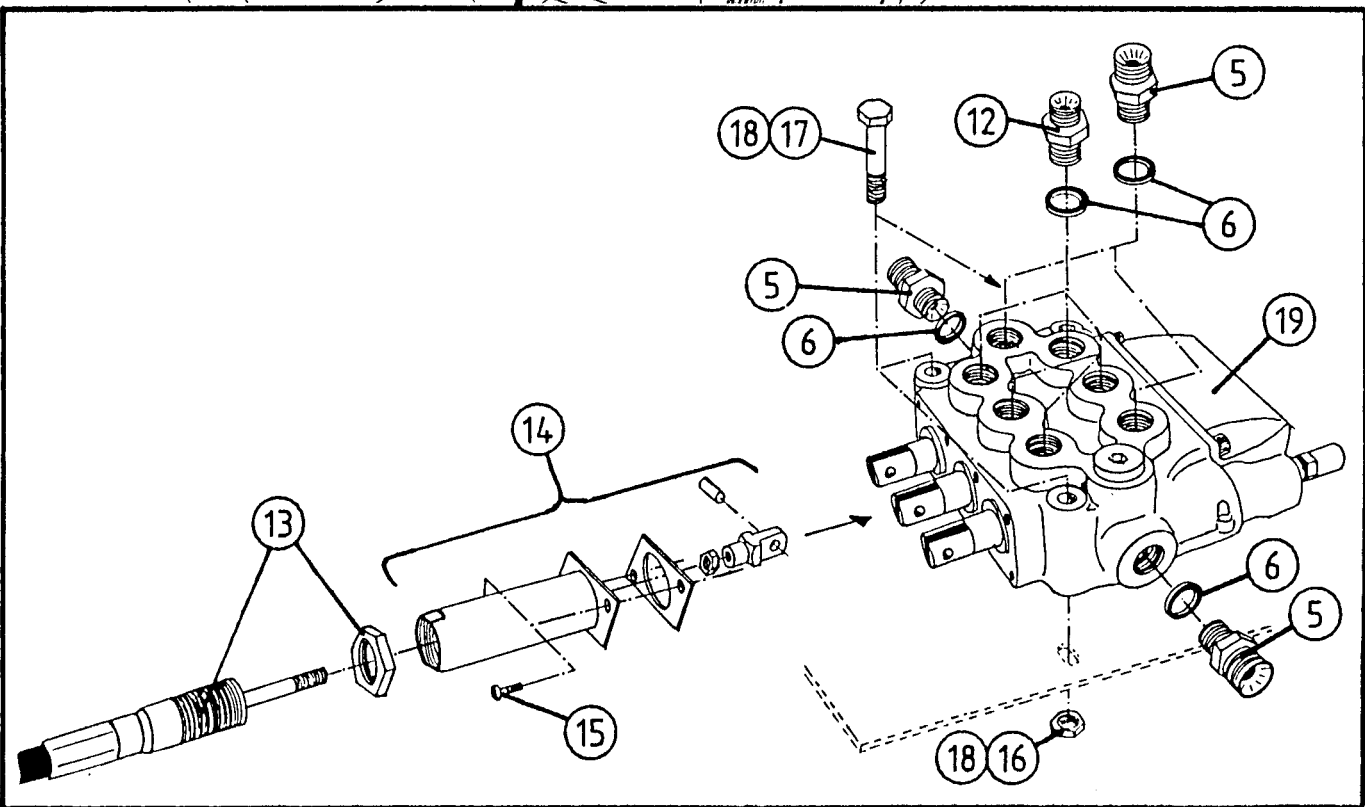
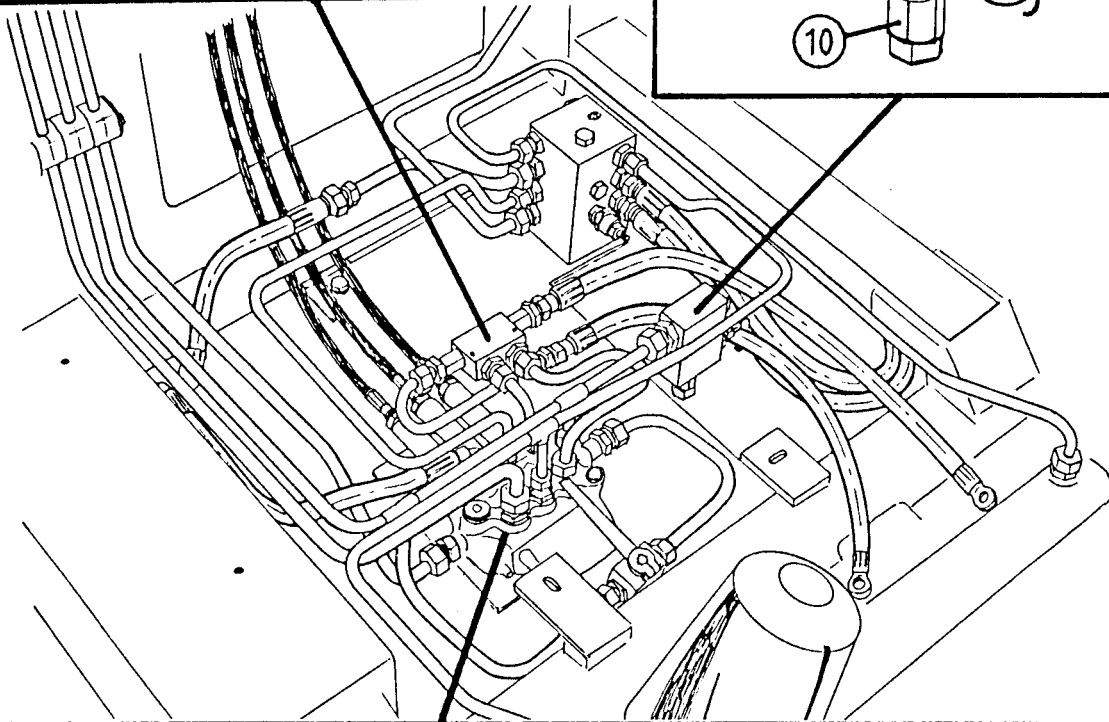
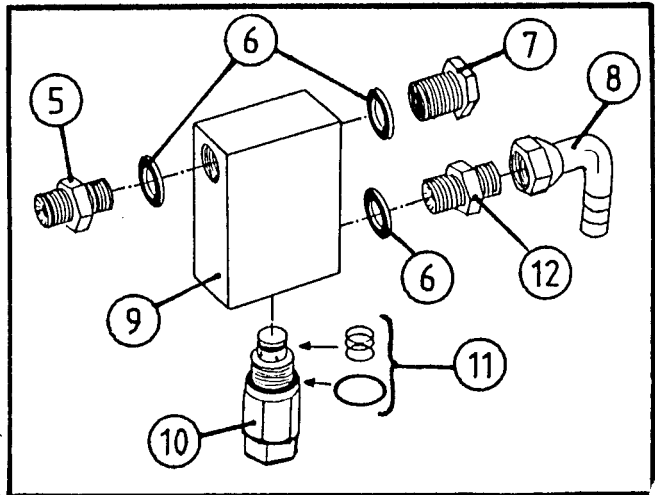
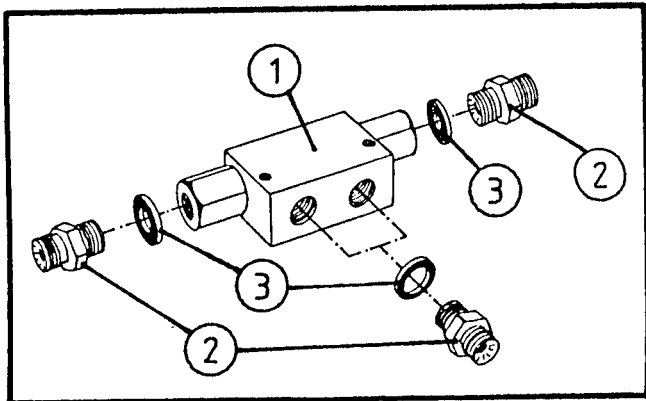




POS. ART.NO. NO: TERM-TYPE-DIMENSJON (M 7-1)

1	34670113	*2	Holder for wire control
2	34670115	1	Bracket for wire holder
3	34230300	4	Locking nut M6
4	34230500	3	Locking nut M8
5	34110083	4	Screw M6 x 20
6	34119038	3	Screw M8 x 140
7	34820000	3	Control lever
8	34820001	3	Wire 3,5 m
9	34302121	3	Washer Ø8

* 1 pcs. holder for mounting on tractor.



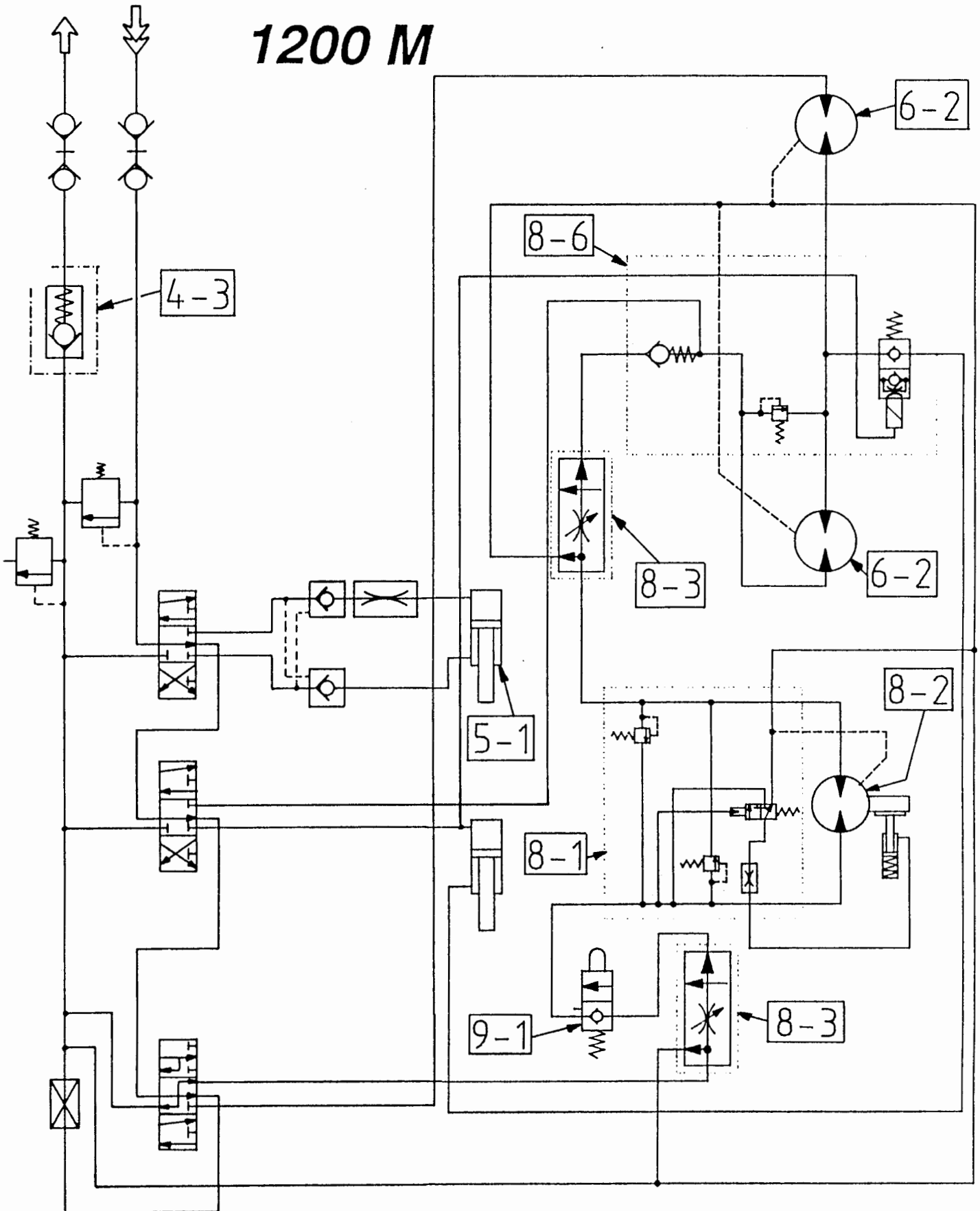


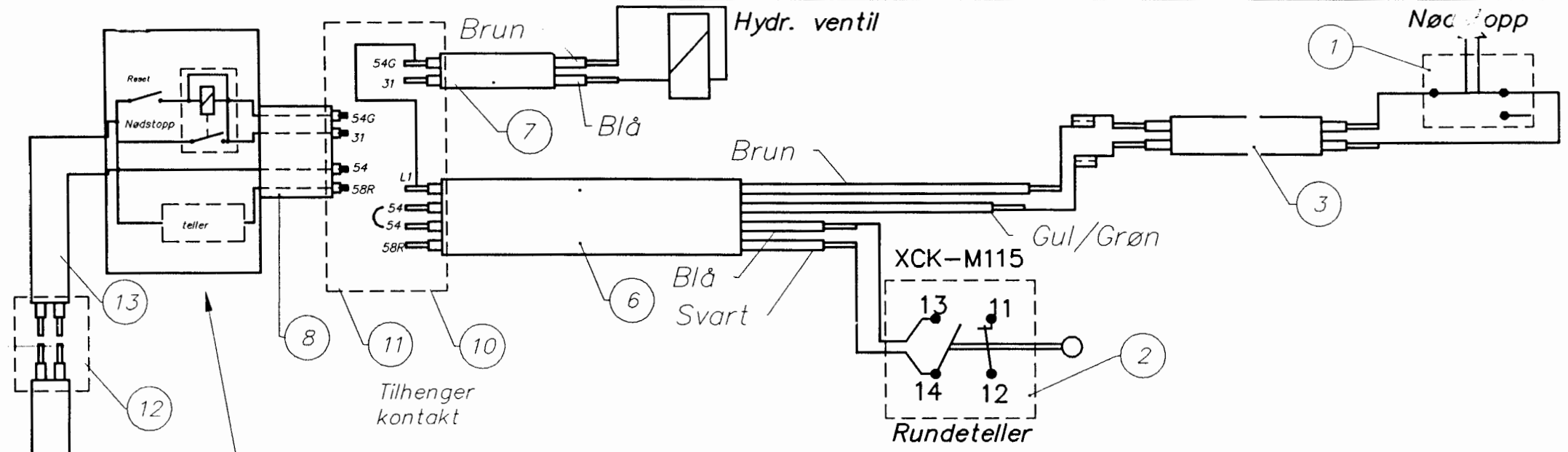
POS.	ART.NO.	NO:	TERM-TYPE-DIMENSJON (M 8-5)
1	34082100	1	Double pilot NON-return valve
2	34061805	4	Fitting 1/4" - 3/8"
3	34041600	4	Tightening Ring 1/4"
5	34061809	5	Fitting 3/8" - 1/2"
6	34041700	12	Tightening ring 3/8"
7	34061886	1	Blind plug, 3/8"
8	34061807	1	Casing 3/8", 90 o, w/swivel
9	34087518	1	Valve block
10	34087519	1	Safety-Valve, FC - 1D30 - F.30 S
11	34044010	1	O-ring set for safety valve
12	34060100	6	Fitting 3/8" - 3/8"
13	34820001	3	Wire 3,5 m w/
14	34820002	1	Assembly set for wire
15	34119037	6	Umbraco screw M6 x 16
16	34230500	3	Locking nut M8
17	34110005	3	Screw M8 x 65
18	34302121	6	Washer Ø8
19a	34086400	1	Valve Roquet 102, three splein
*19b	34086200	1	Valve Roquet 102, two splein
*19c	34086100	1	Valve Roquet 102, one splein

* Some machines have b and c instead of a.



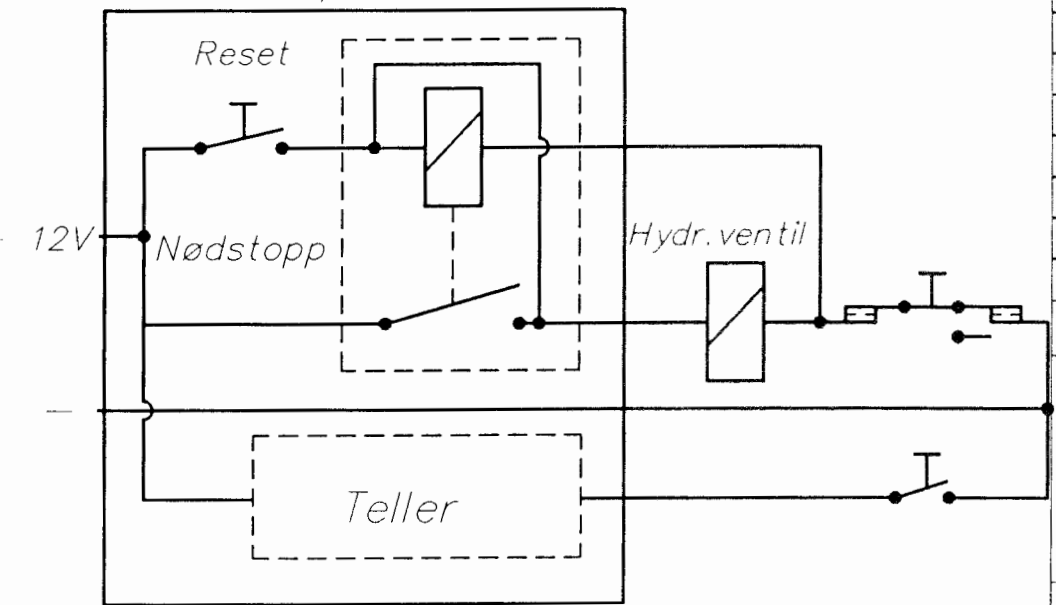
AUTO WRAP 1200 M





SIKRING

Teller/releboks



13	1		2-POLET KABEL	300			DELTA
12	1		2-POLET KONTAKT	HAN OG HUN			DELTA
11	1	34950000	7-POLET KONTAKT	HUN			(DELTA)
10	1	34950001	7-POLET KONTAKT	HAN			
9	1		2-POLET KABEL	4000			DELTA
8	1		4-POLET KABEL	3000			DELTA
7	1	34950191	2-POLET KABEL				
6	1	34950190	4-POLET KABEL				i15-36
3	1	34950184	BRYTERLEDNING				G15-81
2	1	34950154	ENDEBRYTER XCK M115				
1	1	34950179	BRYTER 901VB1-PG				
Pos	Ant	Art.nummer	Navn, Type	Løpe MM	Bruttovekt	Råvarenr.	Tegningsref

		Dato	Konstr./Tegnet	Godkjent	Målestokk	TELLEFSDAL A.S.	
		3/3-92	KS		1:1	4992 FIANE	
AUTO WRAP AW-1200 M NØDSTOPP OG RUNDETELLER EL.OPPLEG						Erstatning for:	Erstattet av:
						i15-30	
Dato	Revisjon	Henvisning:		Beregning:	Delnummer:		