

TANCO BIG BALE HANDLER
PARTS LIST

ITEM NO	DESCRIPTION	QTY	PART NO
1	MAIN FRAME ASSEMBLY	1	WD691-MF
2	ARM ASSEMBLY L.H.S.	1	WD692-LARM
3	ARM ASSEMBLY R.H.S.	1	WD692-RARM
4	HYDRAULIC RAM ASSEMBLY	1	WD69-RAM
5	ROLLER ASSEMBLY	2	WD692-ROL
6	39" TINE	2	Z001-07
7	NUT	2	Z001-234
8	TENSION BUSH	4	Z03-20-12
9	ARM PIVOT PIN c/w GREASE NIPPLE	2	Z03-05-159A
10	10 mm DIA SPRING WASHER	2	Z12-02-10
11	M 10 HEX HD. SET x 20 mm LONG	2	Z26-060S
12	SPACER	2	WD69-23
13	RAM PIVOT PIN	2	Z03-02-418
14	2" x 1/4" SPLIT PIN	2	Z03-21-29
15	1/8" BSP ST. GREASE NIPPLE	2	Z39-60
16	RETAINING COLLAR	2	WD69-57
17	M 16 LOCKNUT	2	Z23-16

TANCO BIG BALE HANDLER (D692)
PARTS LIST

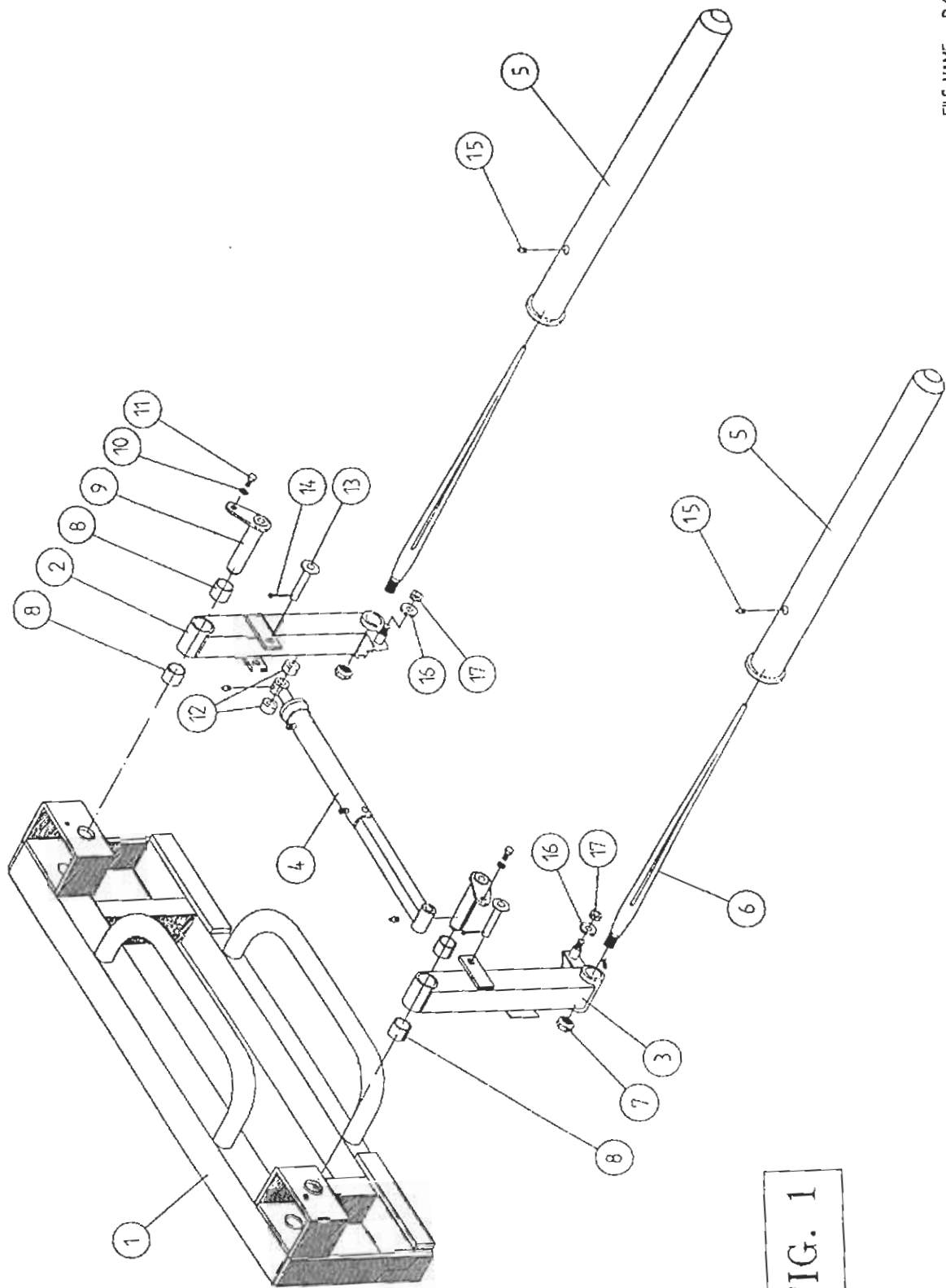


FIG. 1